

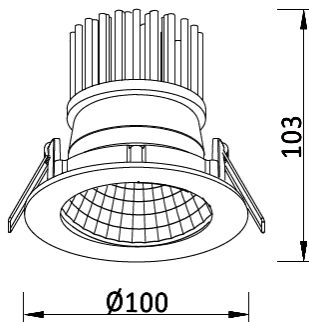


ISABEL DR-GC13

Isabel is a compact luminaire for lower level and more precise accenting. Available in fixed or gimbal and to suit either 75mm or 85mm apertures, and with a selection of narrower beam settings they are perfect for homing in and highlighting key elements of your design.

Energy efficiency is a key component of our product focus and Isabel will ensure significant energy savings over traditional solutions. Of course, CCT colours and a glass diffuser are optional.

Phase dimmable with 0-10V and DALI available upon request.



PRODUCT FEATURES

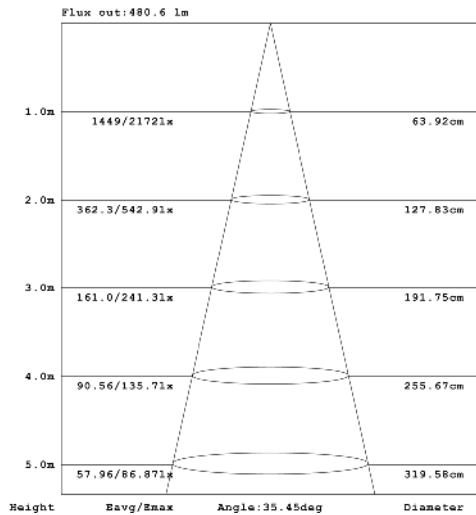
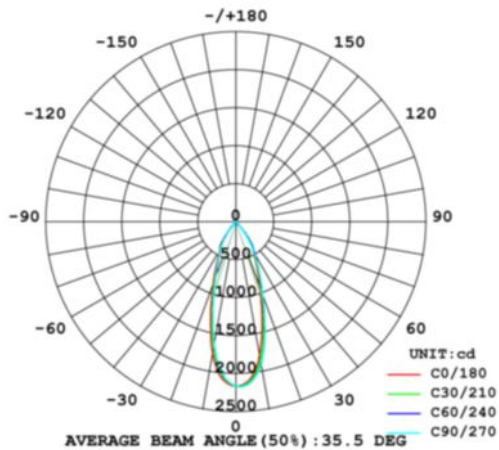
- ☒ Light output, up to 1,100Lm
- ☒ Efficacy (up to 86Lm/W) delivering superior energy efficiency
- ☒ Ideal for all commercial applications
- ☒ Life time 50,000 hours at 70% lumen maintenance
- ☒ Colour rendering exceeds CRI:90
- ☒ Beam Angle: 36°
- ☒ CCT options 3000K/4000K/5000K
- ☒ Available colours black, white and silver
- ☒ Dimming options on request
- ☒ Flex and plug or direct connection
- ☒ Five Year Warranty



Cut out Ø85 Dimensions Ø100x103mm

Model	Source	Lumen Output	System Power	CCT	Beam Angle
LPA-DR-GC13-94K	CREE	600Lm	9W	4000K	36°
LPA-DR-GC13-164K	CREE	1100Lm	16W	4000K	36°
CRI	Driver	Material	Voltage	Colour	Dimming
>90	TRIDONIC	Aluminium	110v-277v	BK / WH / SIL	TRIAC / 0-10V / DALI

Alternative colour temperatures available on request.



Enquire for availability of optional beam angles.

ISABEL DR-GC13

Physical

Height:	103mm
Diameter:	100mm
Weight:	0.379kg

Control and Programming

Dimming:	TRIAC / 0-10V / DALI
----------	----------------------

Construction

Fixture:	Aluminium
Fixture colour:	BK / WH / SIL
Lens:	36°
Impact rating:	IK07
Protection rating:	IP20

Connection

Power connection:	Flex and plug
-------------------	---------------

Output

Luminous Flux:	600m / 1100Lm
Efficacy:	66Lm/w / 68Lm/w
Beam Angle:	36°
CCT:	4000K
CRI:	>90
Quantity of Light source:	1
Lifetime:	50,000 hours at 70% lumen

Electrical

Input Voltage:	110v-277v
LED Power:	8W / 13W
Driver Losses:	1W / 3W
Total Power:	9W / 16W
Power Factor:	0.92
Total Harmonic Distortion:	≤15%

Thermal

Cooling:	Conduction
Operating Range Tc:	-20...+50
Humidity (non-condensing):	10-90%
Run Temperature Teq:	<70°C

Certificates

EMC:	CISPR 15:2011 EN55015:2013 EN61547:2009 EN61000-3-2:2014 EN61000-3-3:2013
------	---

Electrical Safety:	AS/NZS 60598.1:2013 AS/NZS 60598.2.1:2014 EN60598-2-2:2012 EN60598-1:2015
--------------------	--