

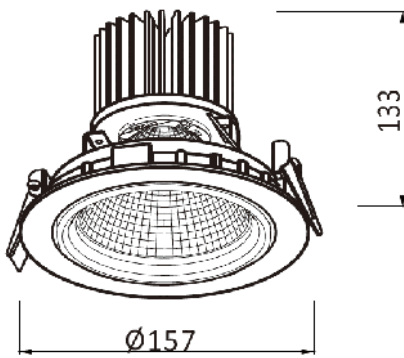


## LEGEND SR-EY39

For larger formats and higher power, Legend says it all. Legend series are particularly suited to higher mounting positions where lesser products may struggle to meet the lighting levels required. With gimbal included as standard we offer the additional advantage of being able to place the light exactly where you need it.

Energy efficiency is a key component of our product focus and Legend are at the top of the performance scale, ensuring significant energy savings over many alternative solutions. Of course, CCT colours and a glass diffuser are optional.

Phase dimmable with 0-10V and DALI available upon request.



### PRODUCT FEATURES

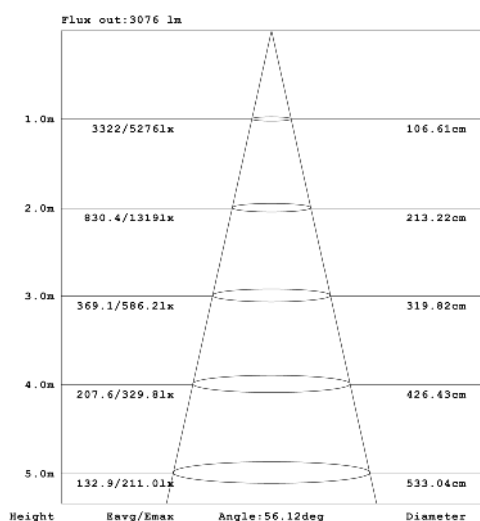
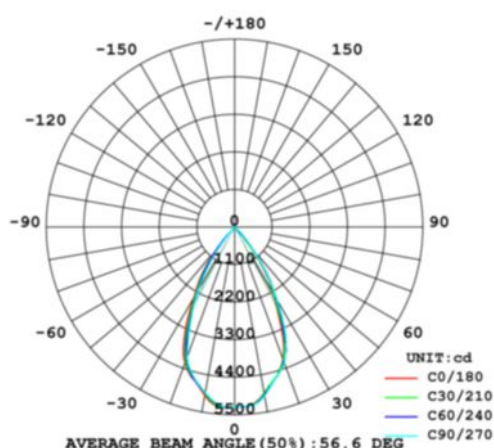
- ☒ Light output, up to 4,300Lm
- ☒ Efficacy (up to 100Lm/W) delivering superior energy efficiency
- ☒ Ideal for all commercial applications
- ☒ Life time 50,000 hours at 70% lumen maintenance
- ☒ Colour rendering exceeds CRI:90
- ☒ Beam Angle: 15°/24°/44°/57°
- ☒ CCT options 3000K/4000K/5000K
- ☒ Cross, honeycomb louvre, miro reflector and glass optional
- ☒ Available colours black, white and silver
- ☒ Dimming options on request
- ☒ Flex and plug or direct connection
- ☒ Five Year Warranty



Cut out Ø150 Dimensions Ø157x133mm

Model	Source	Lumen Output	System Power	CCT	Beam Angle
LPA-SR-EY39-204K	CREE	2000Lm	20W	4000K	15°/24°/44°/57°
LPA-SR-EY39-324K	CREE	2900Lm	32W	4000K	15°/24°/44°/57°
LPA-SR-EY39-384K	CREE	3300Lm	38W	4000K	15°/24°/44°/57°
LPA-SR-EY39-504K	CREE	4300Lm	50W	4000K	15°/24°/44°/57°
CRI	Driver	Material	Voltage	Colour	Dimming
>90	TRIDONIC/PHILIPS	Aluminium	110v-277v	BK / WH / SIL	TRIAC / 0-10V / DALI

Alternative colour temperatures available on request.



Enquire for availability of optional beam angles.

## LEGEND SR-EY39

### Physical

Height:	128 mm
Diameter:	157 mm
Weight:	0.88kg

### Control and Programming

Dimming:	TRIAC / 0-10V / DALI
----------	----------------------

### Construction

Fixture:	Aluminium
Fixture colour:	BK / WH / SIL
Lens:	57°
Impact rating:	IK07
Protection rating:	IP20

### Connection

Power connection:	Flex and plug
-------------------	---------------

### Output

Luminous Flux:	2000Lm / 2900Lm 3300Lm / 4300Lm
Efficacy:	100Lm/w / 90Lm/w 86Lm/w / 86Lm/w
Beam Angle:	15°/24°/44°/57°
CCT:	4000K
CRI:	>90
Quantity of Light source:	1
Lifetime:	50,000 hours at 70% lumen

### Electrical

Input Voltage:	110v-277v
LED Power:	18W / 27W / 33W / 43W
Driver Losses:	2W / 5W / 5W / 7W
Total Power:	20W / 32W / 38W / 50W
Power Factor:	0.92
Total Harmonic Distortion:	≤15%

### Thermal

Cooling:	Conduction
Operating Range Tc:	-20...+50
Humidity (non-condensing):	10-90%
Run Temperature Teq:	<70°C

### Certificates

EMC:	CISPR 15:2011, EN55015:2013, EN61547:2009, EN61000-3-2:2014, EN61000-3-3:2013
Electrical Safety:	AS/NZS 60598.1:2013, AS/NZS 60598.2.1:2014, EN60598-2-2:2012, EN60598-1:2015