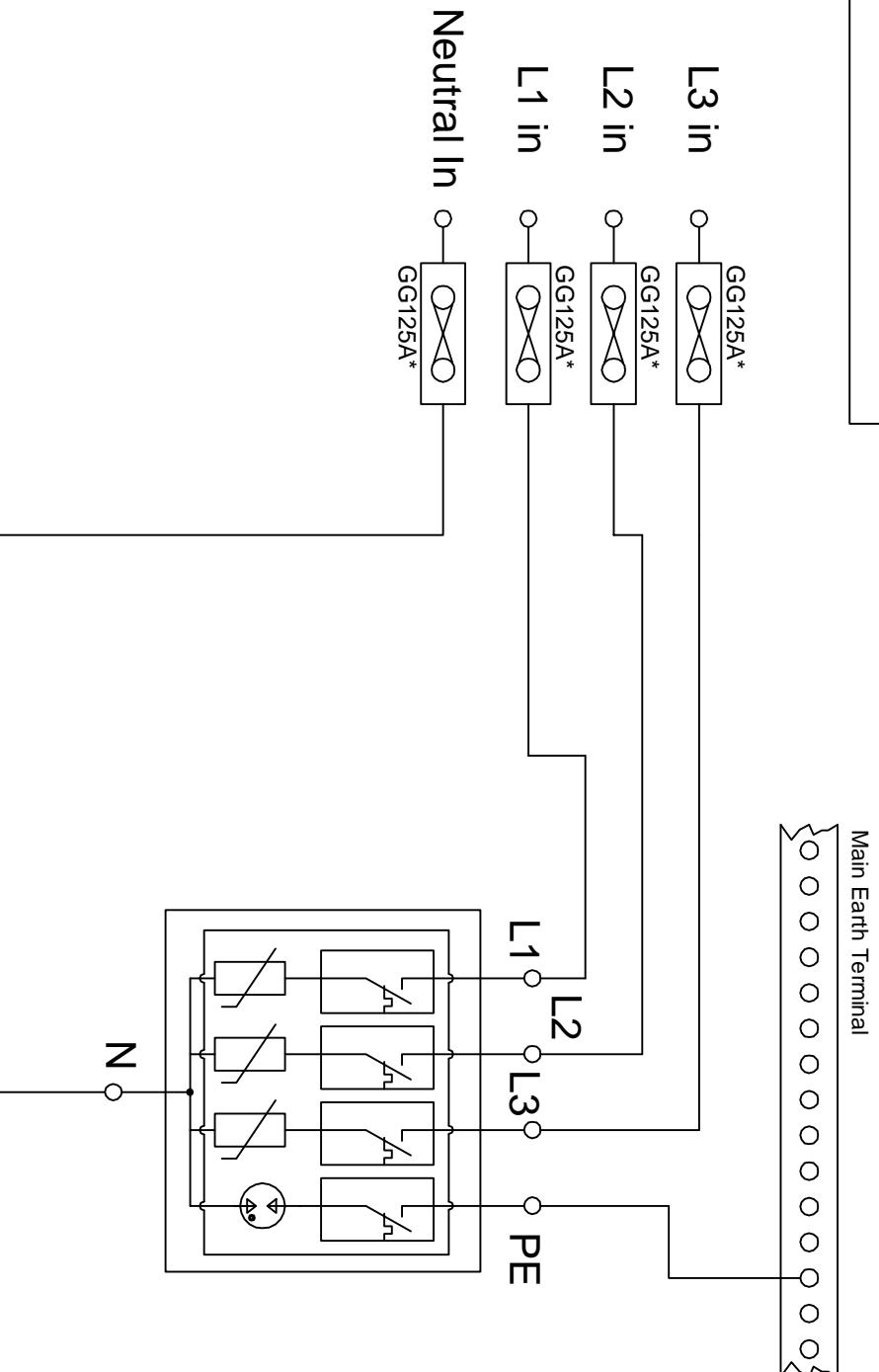


Surge Protection Three Phase



* Fuses can be omitted if incoming circuit breaker is not an Isolator and has a trip setting below 125A

Hydrolectric
ELECTRICAL SOLUTIONS

Triq il-Kapillan Mifsud
Hamrun HMR 1855
Tel: +356 2124 1111
Fax: +356 2124 3706
email: info@hydrolectric.com.mt

Surge Protection - Three Phase

Cabur ISPD440AC3PNPE

Revision History:

Item Details:	DRAWING NR:	SCALE:
Date: 20.04.2020	H 045 2020	NTS - Sketch
Drawn by: Ing. E. Scerri	Page: 1 of 1	Revision Number: Not Revised Yet

Legend:



Cabur ISPD440AC3PNPE

TECHNICAL DATA

Test Class	II		
Earthing system	TN, IT, TT		
Nominal voltage	Un (V)	230 - 400	
Max. continuous voltage	Uc (V)	440	
Working frequency	fHz	50 - 60	
Max. Discharge current (8/20µs)	Imax (kA)	40	
Nominal discharge current (8/20µs)	In (kA)	20	
Voltage protection level at In	Up (kV)	1.5	
Protection mode	L1, L2, L3 - N/N - PE		
Isolation resistance	Riso (MΩ)	> 10 ²	
Response time	tms	≤ 25	
Recommended back-up fuse	IΔ	125	
With internal protection fuse	Yes		
Max. cables section	[mm ²]	25	
Mounting	DIN I	Yes	
Working temperature	(°C)	-40...+85	
Protection degree	IP20		
Housing material	PP0		
Inflammability class	UL 94-V0		